

Addendum to CH-47-05-SOF-02

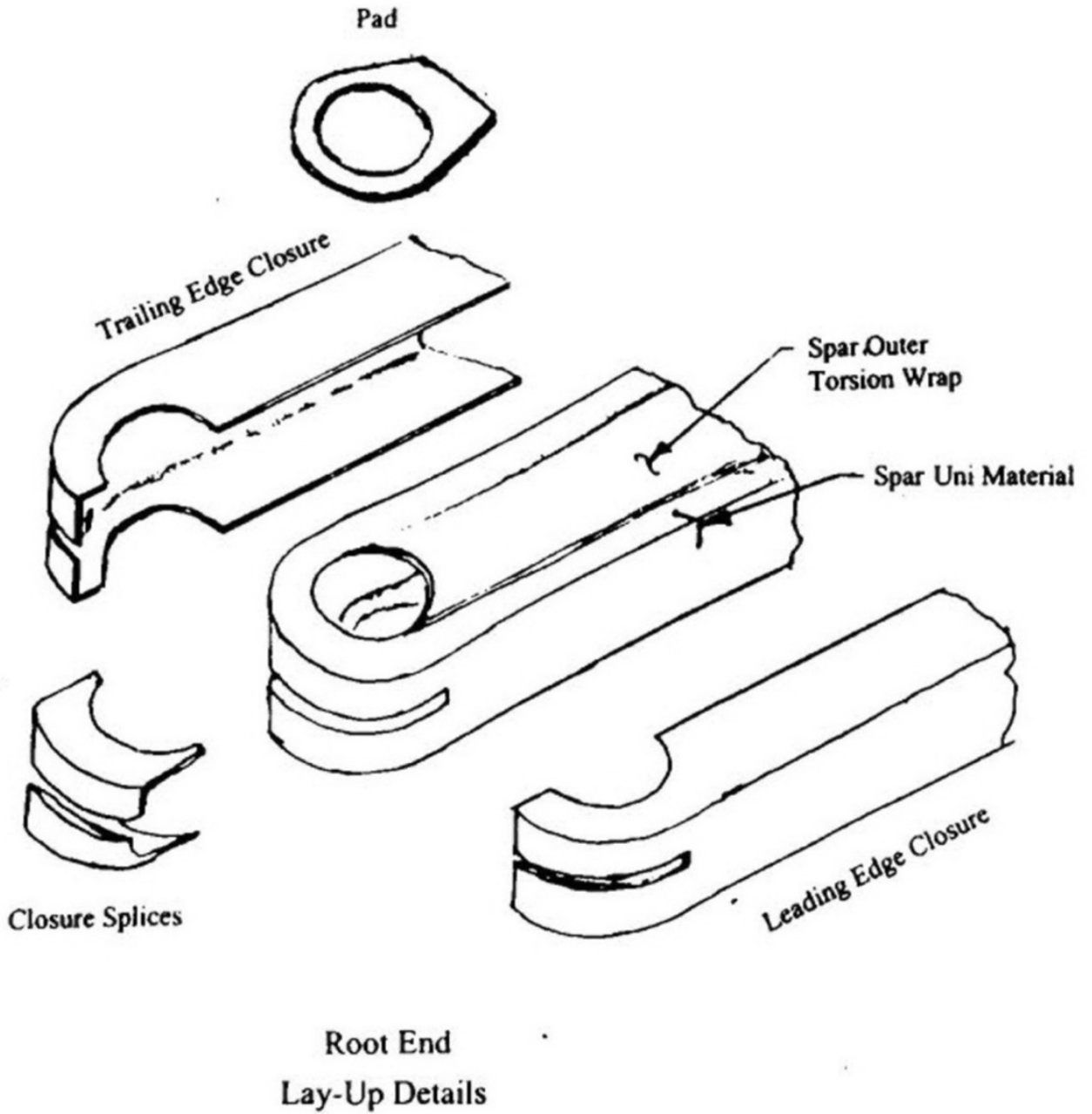


Figure 1, Rotor Blade Component Terminology & Description

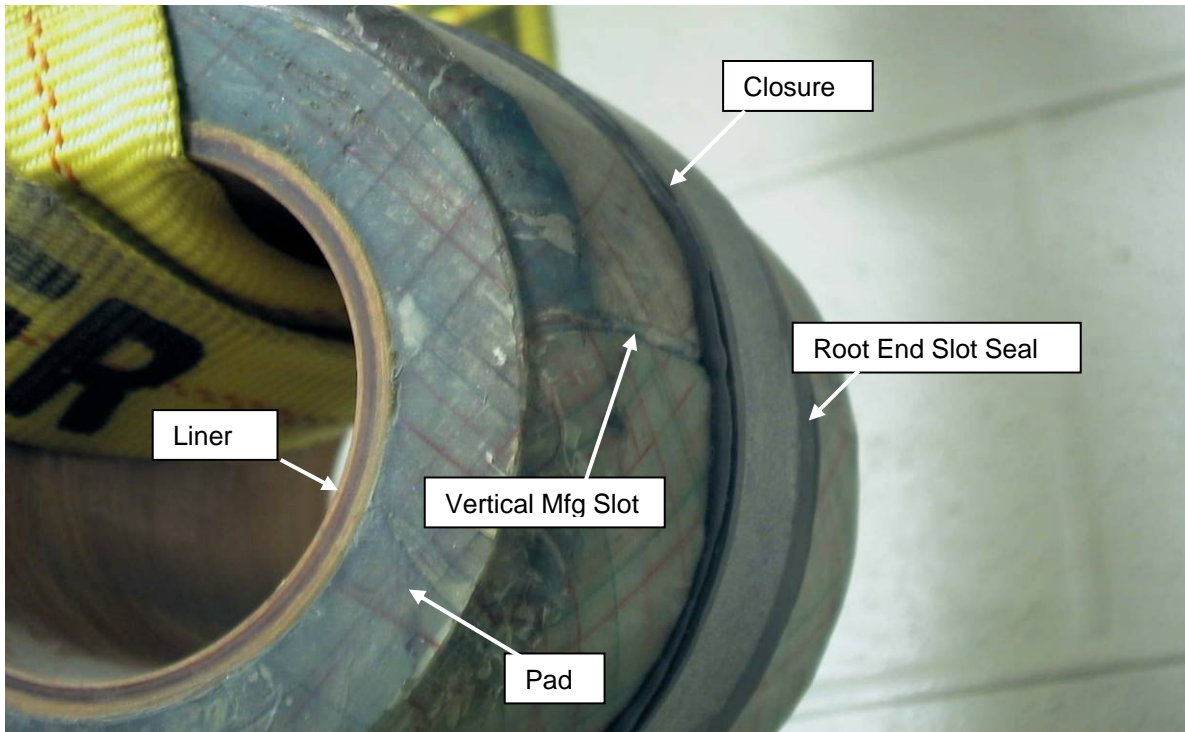


Figure 2, View of Blade Root-End Without Paint

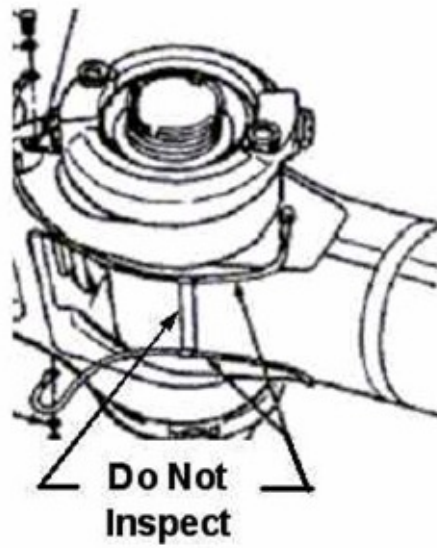
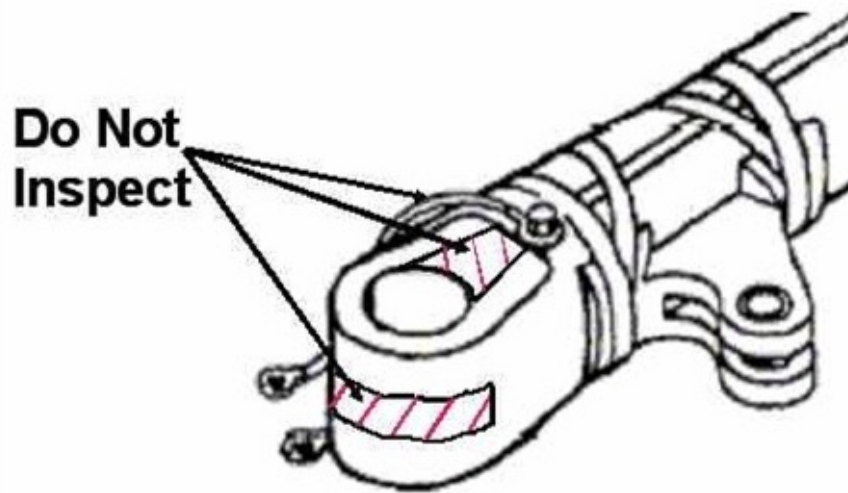


Figure 3, Areas of Blade Root-End Not Inspected

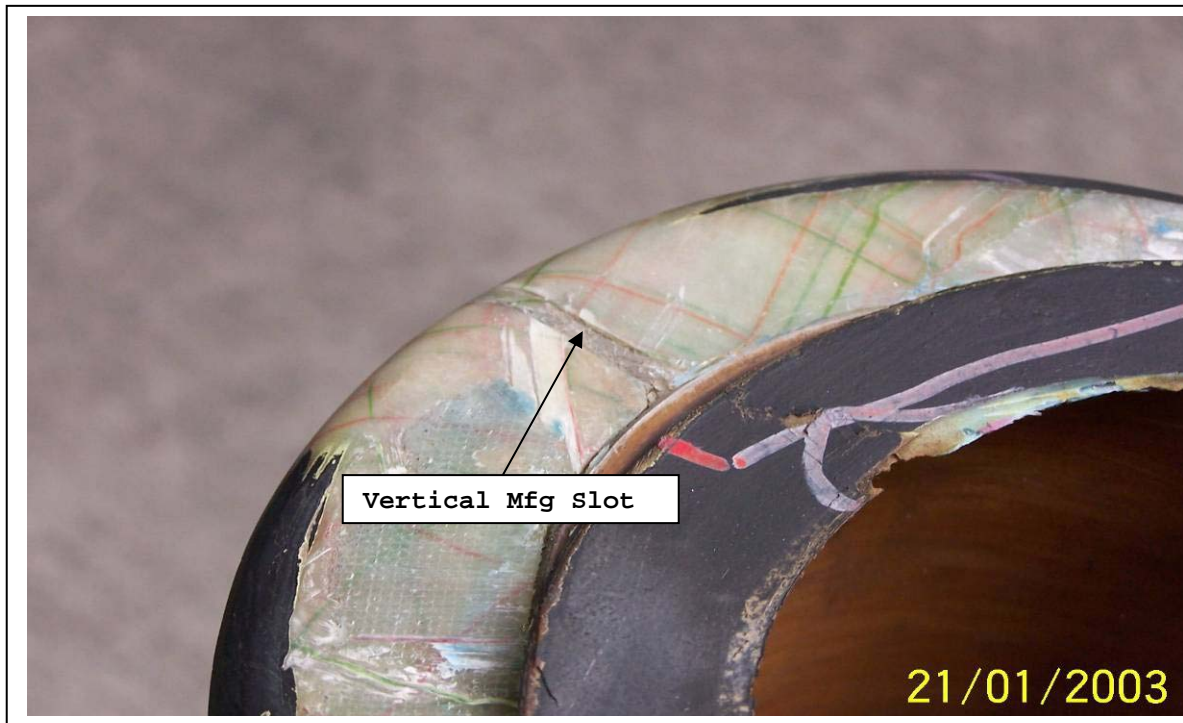


Figure 4, Example of Vertical Manufacturing Slot
that should not be mistaken for a crack

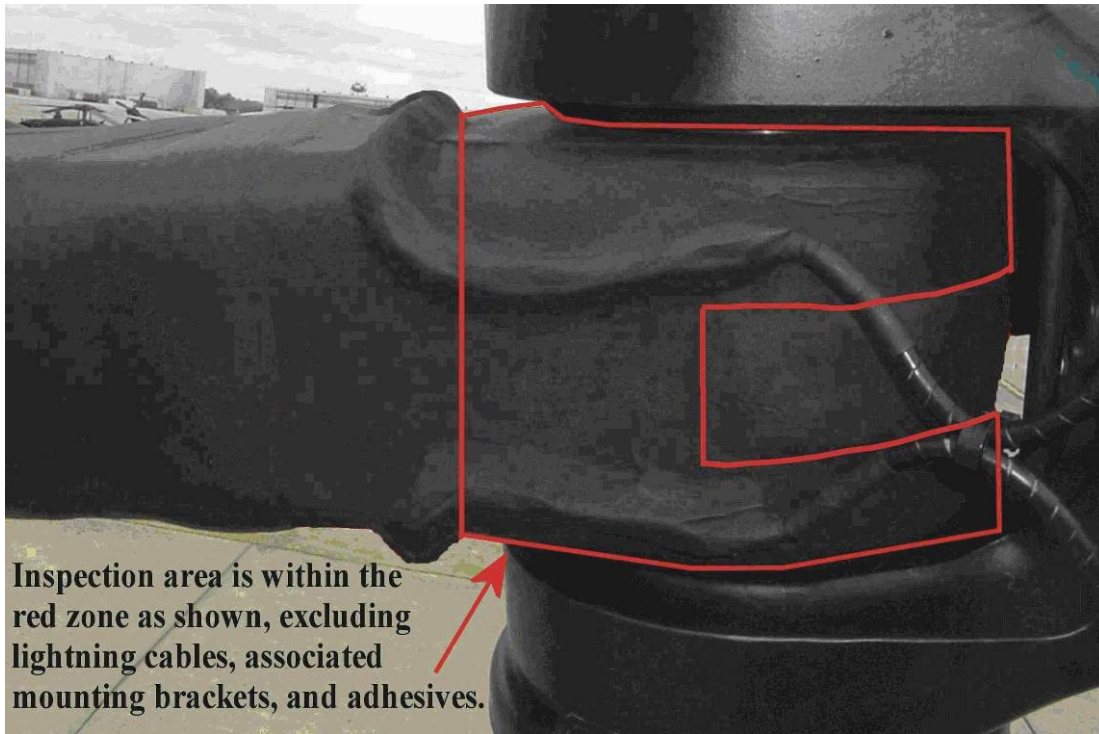


Figure 5, On-Aircraft Inspection Area



Figure 6, Off-Aircraft Inspection Area



Figure 7, Example of a Root End Crack with Paint and Pad Removed



Figure 8, Example of an Un-sanded Root End Crack



Figure 9, Example of a Sanded Root End Crack



Figure 10, Example of a Sanded Root End Crack



Figure 11, Example of a Sanded Root End Crack

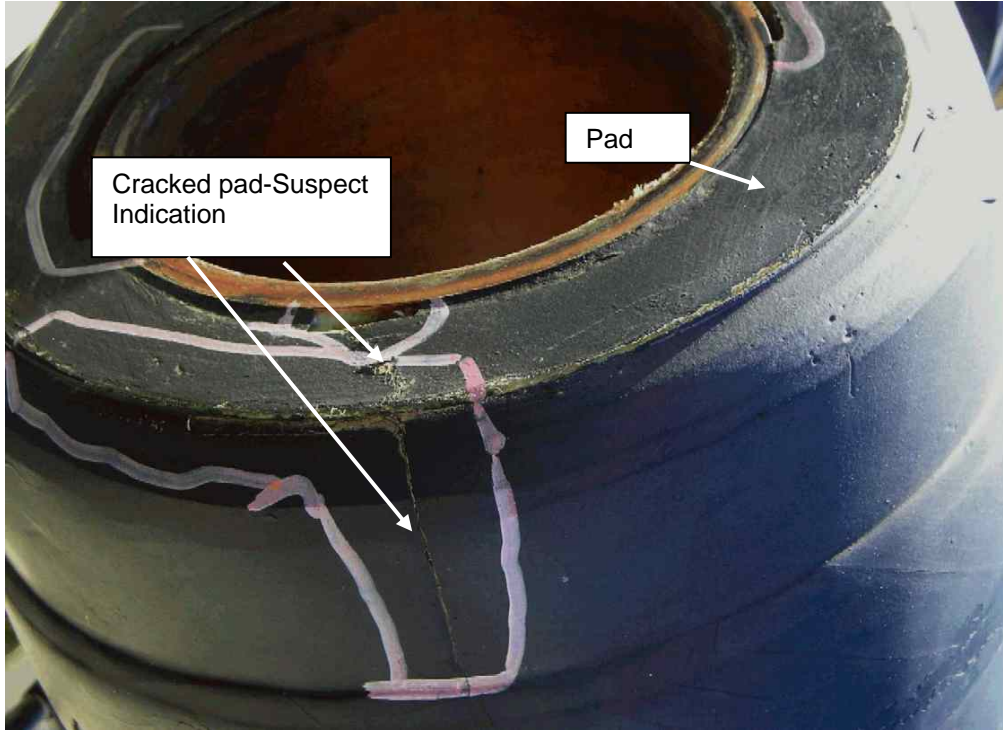


Figure 12, Example of Suspect Indication & Cracked Pad